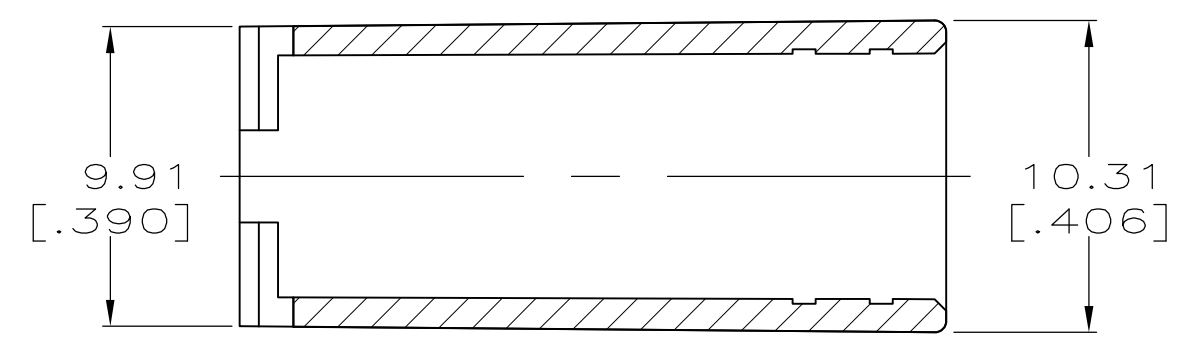


THIS DRAWING IS UNPUBLISHED. RELEASED FOR PUBLICATION  
 © COPYRIGHT - By - ALL RIGHTS RESERVED.

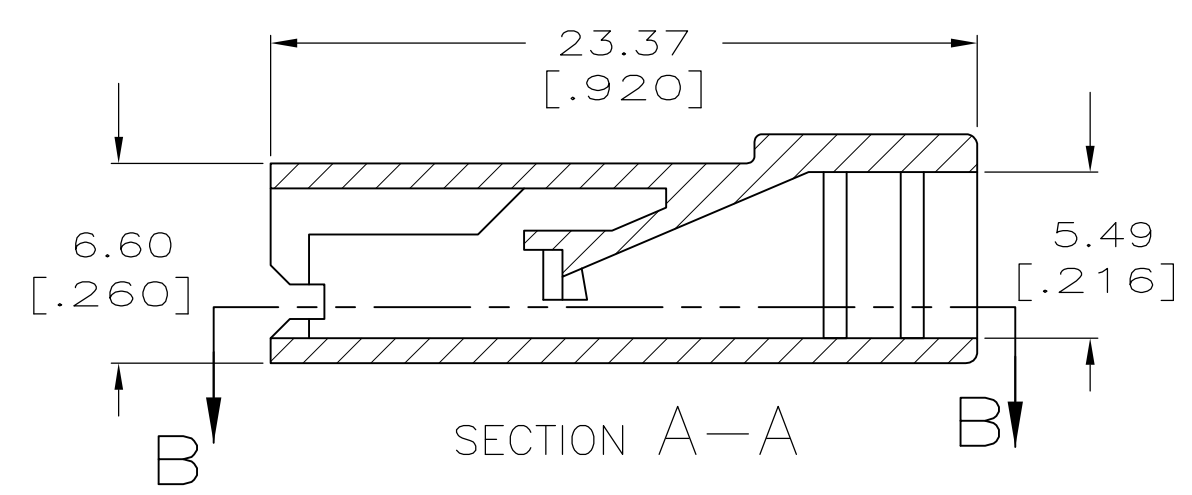
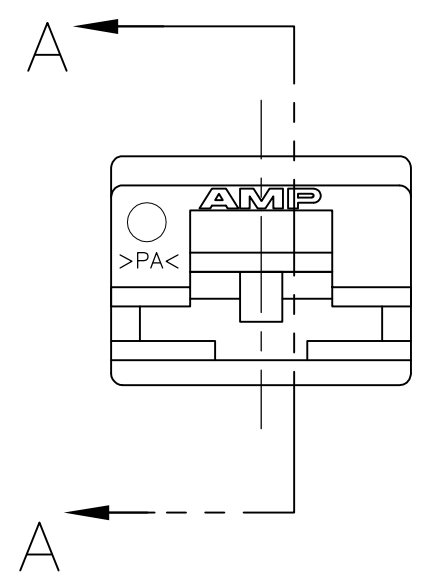
LOC AF	DIST 50	REVISIONS			
P	LTR	DESCRIPTION	DATE	DWN	APVD
	AC6	REVISED PER ECO 13-003620	01MAR13	JR	PD



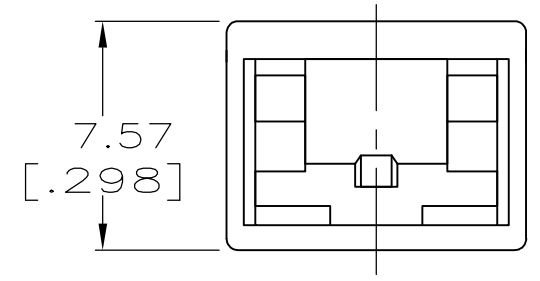
SECTION B-B

- 1 SPECIAL PACKAGING QUANTITIES.
- 2 POLYAMIDE ACCORDING TO IEC 60335-1, GLOW WIRE.
- 3 PRELIMINARY - NOT FOR PRODUCTION

5 CONTACT PRODUCT ENGINEERING FOR TERMINAL RECOMMENDATIONS WHEN USING THIS INSULATOR WITH 10 AWG WIRE



SECTION A-A



SUPERCEDED BY 1-480416-0  
 OBSOLETE  
 SUPERCEDED BY 1-480416-0

NATURAL	2 <sup>66</sup> NYLON, UL94 V0	3	2-480416-3
NATURAL	2 <sup>UL94 V2</sup>		2-480416-2
NATURAL	6/6 NYLON	3 1	2-480416-1
NATURAL	UL94 5VA RATED	3	2-480416-0
NATURAL	4/6 NYLON UL 150		1-480416-8
NATURAL	66 NYLON, V0		1-480416-7
NATURAL	POLYESTER		1-480416-6
RED	6/6 NYLON		1-480416-4
BLUE			1-480416-3
BLACK			1-480416-1
NATURAL			1-480416-0
FINISH	MATERIAL		PART NO

THIS DRAWING IS A CONTROLLED DOCUMENT.		DWN JR RUTH 2/4/91	TE Connectivity	
DIMENSIONS: INCHES		CHK P FORTNEY 2/4/91		
TOLERANCES UNLESS OTHERWISE SPECIFIED:		APVD C MEYERS 2/4/91	NAME	
0 PLC ± - 1 PLC ± - 2 PLC ± 0.38 [015] 3 PLC ± - 4 PLC ± - ANGLES ± -		PRODUCT SPEC	HOUSING, RECEPTACLE, FASTON, 6.35 [0.250] SERIES	
MATERIAL SEE TABLE		FINISH SEE TABLE	APPLICATION SPEC	
		WEIGHT -	SIZE	RESTRICTED TO
			A3 00779	
			C-480416	
			SCALE 4:1	SHEET 1 OF 1
				REV AC6